

Application:

Oventrop compact distributor for the connection of the "Regumat" DN 25 stations ("Regumat" DN 32 with connection fittings).

Consisting of distributor, thermal insulation and wall bracket including fixing material.

The distributor is, for instance, used for volume flow distribution from the heat generator to several heating circuits.

Advantages:

- space-saving installation
- simple installation
- problem-free water distribution even for small performance ranges

Models:

for 2 heating circuits
for 3 heating circuits
for 4 heating circuits
for 5 heating circuits
for 6 heating circuits
for 7 heating circuits
for 8 heating circuits

Item no.:

1351582
1351583
1351584
1351585
1351586
1351587
1351588

Materials:

Distributor: Steel, primed black
Thermal insulation: Expanded polypropylene
Wall bracket: Steel galvanised

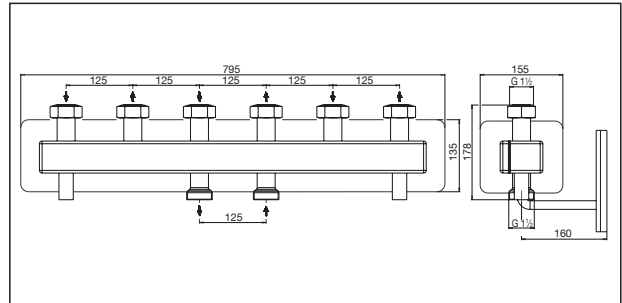
Connections:

To heating circuit: G 1½ collar nut, flat sealing
T boiler: G 1½ male thread, flat sealing

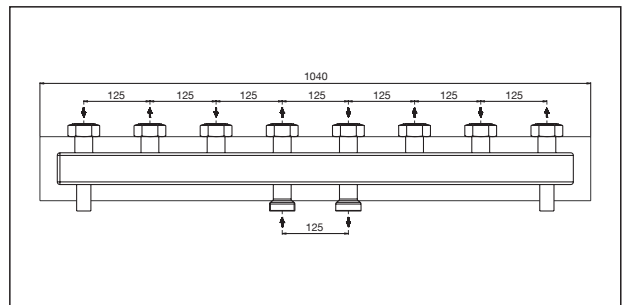
The direction of flow must be observed!

Technical data:

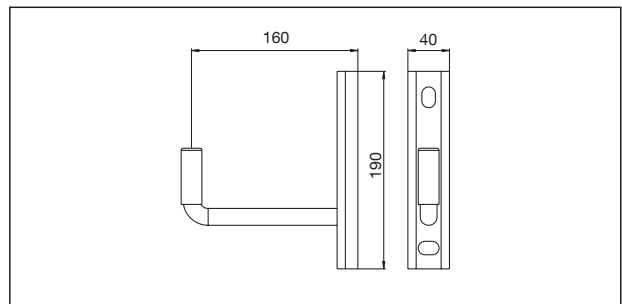
Max. operating pressure p_s : 4 bar
Max. operating temperature t_s : 110 °C
Max. flow rate: 4 m³/h
Recommended application range: max. 95 kW ($\Delta T = 20$ K)



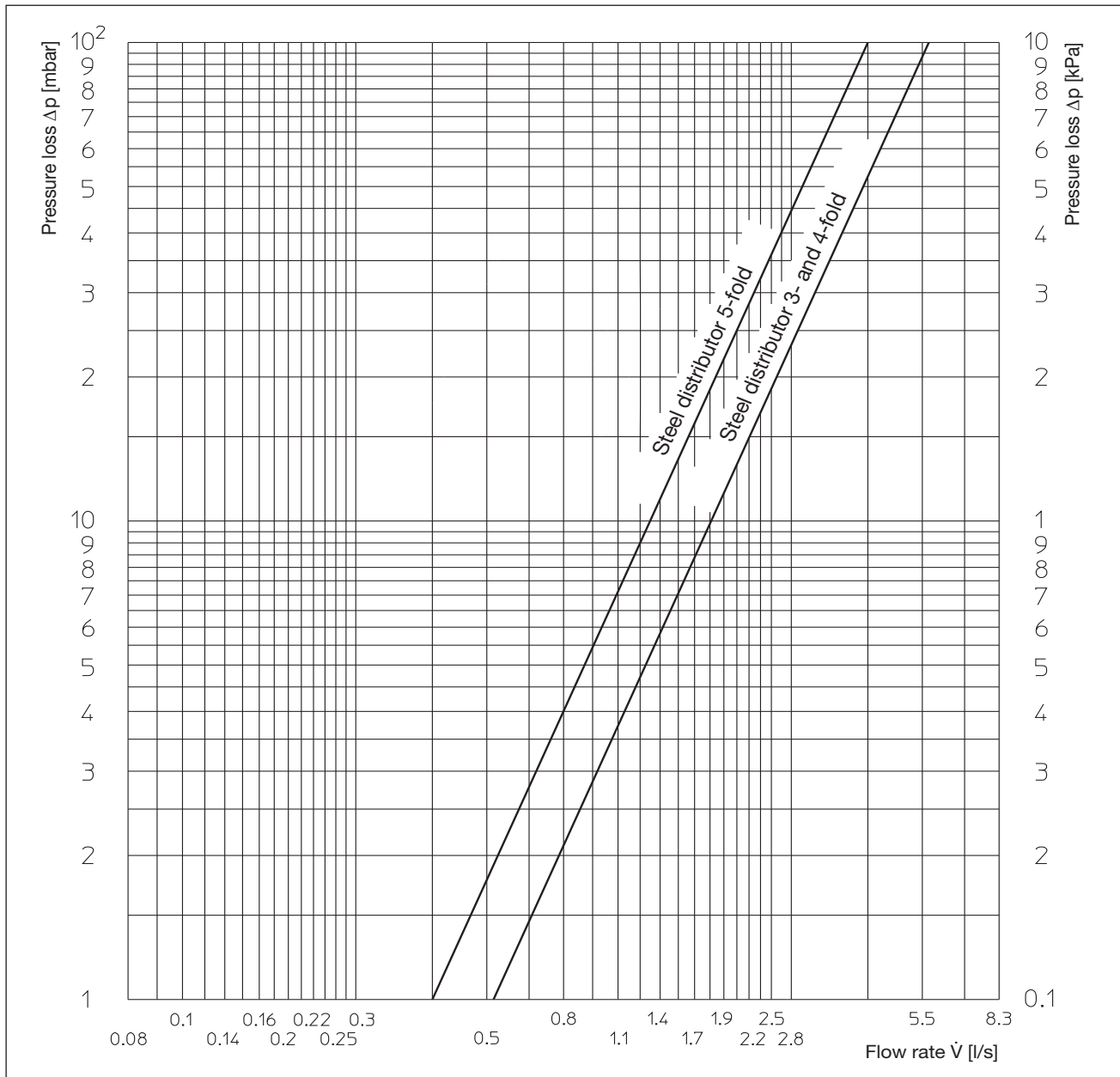
Dimensions distributor DN 25, 3-fold



Dimensions distributor DN 25, 4-fold



Dimensions wall bracket



Flow chart

Subject to technical modifications without notice.

Product range 6
 ti 256-EN/10/MW
 Edition 2017